



# Universal Adaptor Instructions

## Ceramic Cooker Installation

### Parts Needed:

- Adaptor Plate
- Draft Inducer Tube
- Expansion Clip



### STEP 1

Place the Draft Inducer Tube into the opening of the Adaptor Plate.



### STEP 2

Rotate the Draft Inducer Tube in a clockwise direction until it is tightly secured into the Adaptor Plate.



### STEP 3

Place the Expansion Clip onto the top of the Adaptor Plate.



### STEP 4

Slide open your ceramic cooker's draft door. With the Draft Inducer Tube facing you and the Expansion Clip facing upwards, push the Adaptor Plate into the cooker's damper until it engages with the top and bottom tracks.



### STEP 5

Slide the Adaptor Plate all the way over until it is behind the draft door's left tab.



### STEP 6

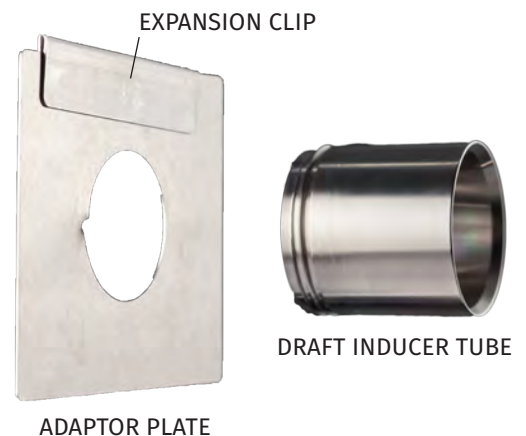
Close the draft door over the Adaptor Plate until it is sealed tight.



### STEP 7

Insert the Pit Viper Fan into the Draft Inducer Tube. **You are now ready to cook!**

**NOTE:** Run your probes into your cooker at the top of your access door or under the lid.





# Universal Adaptor Instructions

## Weber Smokey Mountain Installation

### Parts Needed:

- Deflector Plate
- Draft Inducer Tube
- Foil Tape



### STEP 1

Open one of the dampers on the bottom of the Weber Smokey Mountain. Make sure the other dampers on the bottom are fully closed.



### STEP 2

On the damper that you left open, cover all but one hole with the supplied high temperature Foil Tape. Trim if desired.



### STEP 3

Insert the screw through the hole in the Deflector Plate.



### STEP 4

Place the Deflector Plate on the inside of the cooker and push it through the open damper hole. Make sure the Deflector Plate opening is facing down.



### STEP 5

With the threaded end closest to the damper hole, place the Draft Inducer Tube on the outside of the cooker and align it against the damper hole until the screw is inserted into the Draft Inducer Tube.



### STEP 6

Rotate the Draft Inducer Tube in a clockwise direction until it is secured directly into the damper. If needed, use a screwdriver to ensure it is tight enough.



### STEP 7

Insert the Pit Viper Fan into the Draft Inducer Tube. **You are now ready to cook!**



DEFLECTOR PLATE



DRAFT INDUCER TUBE

**NOTE:** Run your probes into your cooker at the top of your access door or under the lid.

**IMPORTANT:** Make sure the other two bottom dampers are fully closed when you are ready to cook.