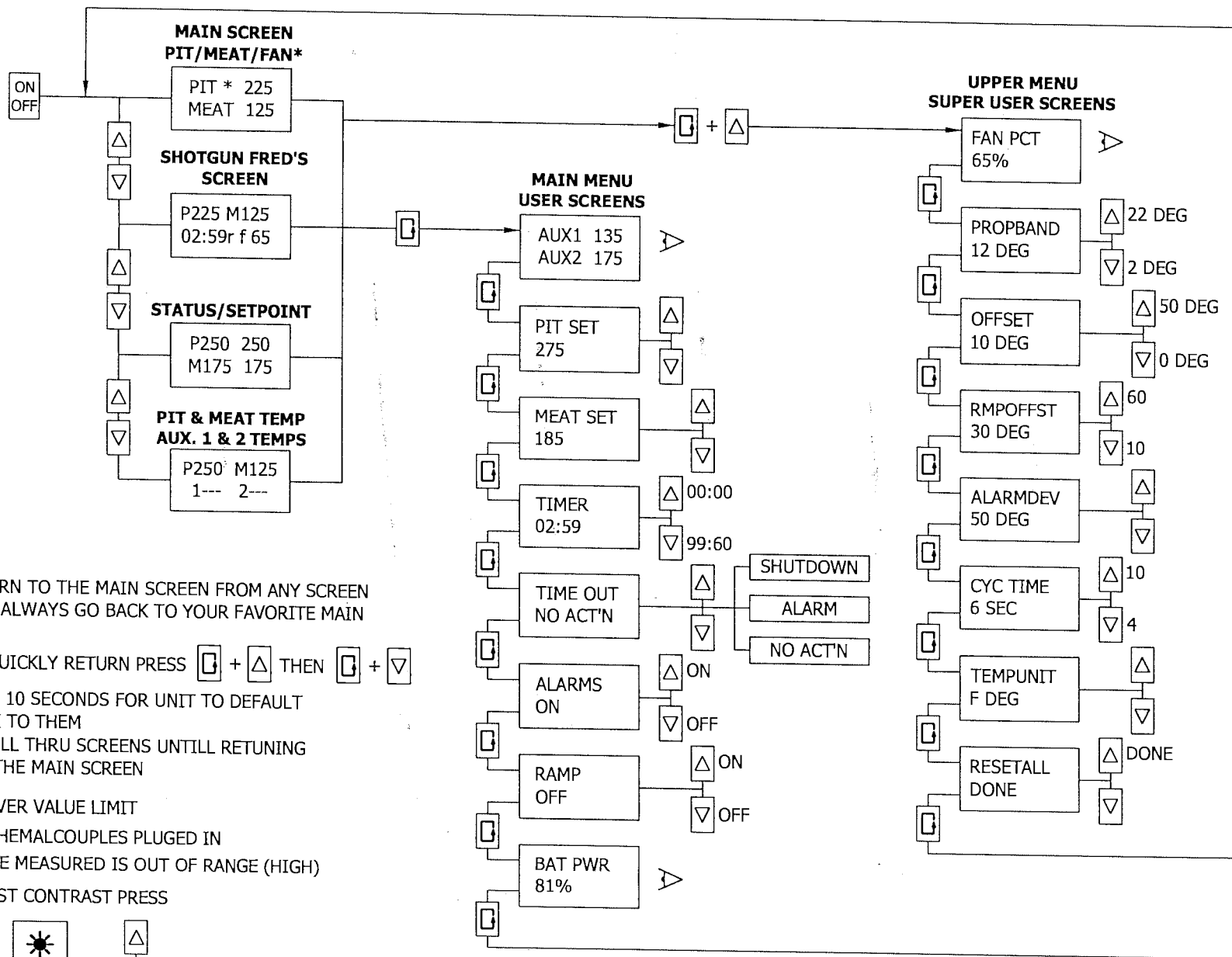


WIRELESS GURU FLOW DIAGRAM

PROCOM 4 MOD/VER 1.6

4 CHANNEL DIGITAL TEMPERATURE CONTROL AND MONITOR



NOTES:

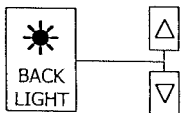
- TO RETURN TO THE MAIN SCREEN FROM ANY SCREEN IT WILL ALWAYS GO BACK TO YOUR FAVORITE MAIN SCREEN

1. TO QUICKLY RETURN PRESS [Function Key] + [Up Arrow] THEN [Function Key] + [Down Arrow]
2. WAIT 10 SECONDS FOR UNIT TO DEFAULT BACK TO THEM
3. SCROLL THRU SCREENS UNTILL RETURNING TO THE MAIN SCREEN

- OVL = OVER VALUE LIMIT

1. NO THERMALCOUPLES PLUGED IN
2. VALUE MEASURED IS OUT OF RANGE (HIGH)

- TO ADJUST CONTRAST PRESS



- [Monitor Icon] = MONITOR ONLY