



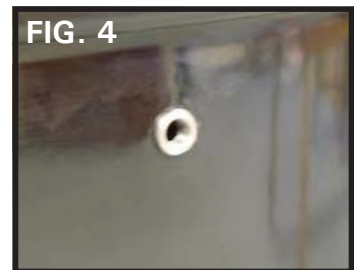
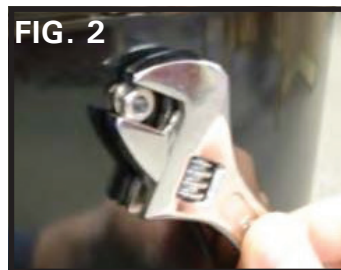
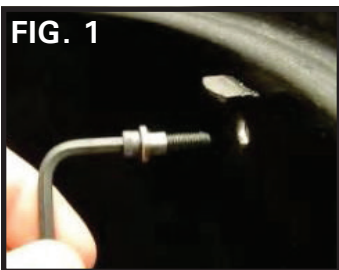
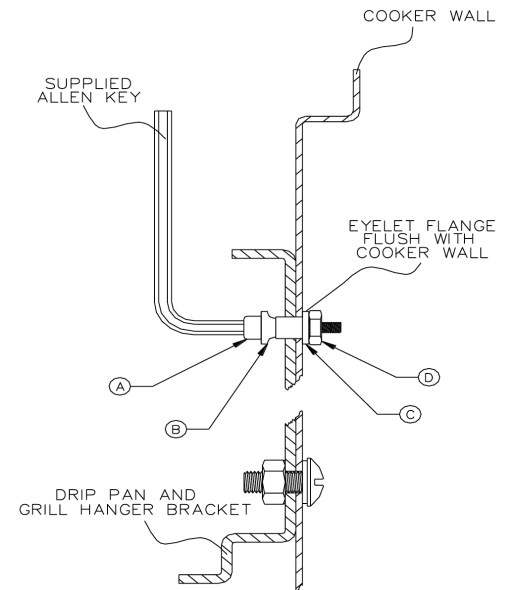
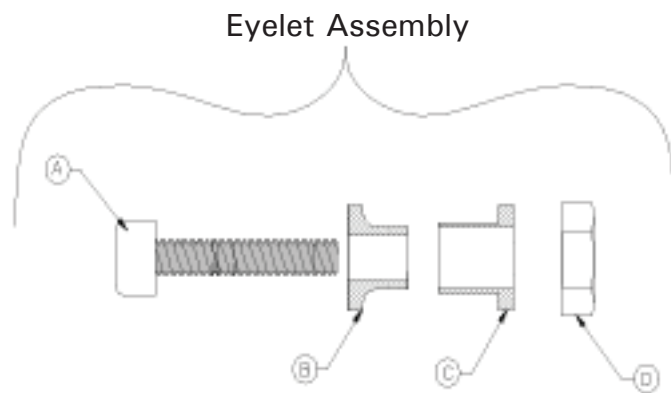
# Weber Smokey Mountain Probe Eyelet Installation Instructions

## Parts Needed:

- Adjustable Wrench
- Allen Key

## Parts Included:

- 8-32 x 3/4" hex head cap screw (1)
- Eyelet flaring tool (1)
- Eyelet (2)
- 8-32 hex nut (1)



1. Remove the upper bolt from one of the grill holder brackets on your WSM.
2. Place the Eyelet Flaring tool (B) on the hex head cap screw (A) and insert it through the hole from the inside. (Fig. 1)
3. Place the Eyelet (C) on the hex head cap screw (A) from the outside and screw on the hex nut (D).
4. Make sure that the Eyelet assembly is positioned so the Eyelet flange (C) is flush against the outside wall of your cooker.
5. Using an adjustable wrench, hold the hex nut (D) and tighten the hex head cap screw (A) using the supplied Allen key from inside the cooker. (Fig. 2)
6. Continue tightening until the Eyelet splits and flares out (Fig. 3) and is secure in place. \*\*
7. Remove the hex head cap screw (A), hex nut (D), and eyelet-flaring tool (B) and your new eyelet is installed and ready to accept THE BBQ GURU PROBES or temperature monitor probes as well as thin stem dial thermometers.
8. Reuse the tool for installing other eyelets.

NOTE: Do not over tighten or you could crack or chip the porcelain coating of the cooker.